



# UTV INTERNATIONAL



## ACHIEVER RT-02 DD TRACKED DIGGER DERRICK CARRIER SPECIFICATIONS

<b><u>DIMENSIONS / WEIGHT</u></b>		<b><u>FRAME / SUSPENSION</u></b>	
Overall Length	220"	Type	Welded Tub
Overall Width	101"	Axles	Torsion
Height	118"	Tires	Solid Rubber
Ground Clearance	16"	<b>Suspension system</b> comes with:	
Basic Vehicle Weight	16,650 lbs (with derrick)	➤	2 independent idler wheels with oil bath hubs
GVWR	24,000 lbs	➤	8 solid wheels with grease hubs
Deck Area	48 ft <sup>2</sup> (approx. 87" x 80")	➤	2 rear drive sprockets
<b><u>PERFORMANCE DATA</u></b>		<b><u>POWER TRAIN FOR HYDROSTATIC DRIVE</u></b>	
Maximum speed	7.3 mph	Transmission	Hydrostatic, 2-speed
Inside turning radius	0 ft.	Service Brakes	Positive deceleration through the hydrostatic transmission
Climbing Ability		Parking brakes	Multi-Disc, spring applied & pressure released
- Uphill	40° (84%)	<b><u>ELECTRICAL</u></b>	
- Side-hill	15° (27%)	Voltage	12v
Ground pressure	2.28 PSI (no load) 29" tracks	(2) Batteries, Capacity	1,000 CCA
	2.62 PSI (loaded) 29" tracks	Alternator Capacity	120 Amps
	2.00 PSI (no load) 33" tracks	Ground	Negative
	2.30 PSI (loaded) 33" tracks	<b><u>STEERING</u></b>	
Normal drive range	8 Hours	Independent dual joysticks with cable control for each track	
Fording / deck height	36" max / 40"	<b><u>TRACKS</u></b>	
<b><u>ENGINE</u></b>		5 ply belts with 29" rubberized heat treated aluminum cross links	
Make	Deutz AG	<b><u>STANDARD FEATURES</u></b>	
Model	TCD 3.6 L4, 4 cylinder turbo charged diesel	120v block heater, muffler, glow plugs, 12v primary fuel filter heater, secondary fuel filter with water separator	
Horsepower	134 HP at 2,300 RPM	Electric engine shut down system	
Displacement	3.6 liters	2" Receiver socket, front and rear	
DEF tank	2.6 gals.	Dust cap retainers	
Fuel capacity	40 gals.	Front and rear rectangular ground lugs	
Torque	369 ft lbs at 1,600 RPM	(4) Longer 59" radial outriggers w/18"x20" feet	
Fuel consumption	4 gallons per hour average	(4) 18,000 lb D-Rings	
		Wooden side wall/deck	
		2 Racks to carry poles	
		2 Sets of operations, parts & service manuals	

\*Specifications subject to change without notice





# UTV INTERNATIONAL



## Hercules 6042/46 Digger Derrick/Aerial Lift Boom Specifications

Lifting Capacity:	6,000 lbs at 10' radius
Sheave Height:	40' 6"
Tip Winch Rope:	9/16" UHMWPE (6,000 lbs working strength)
Digging Radius	13'-21'

- Three stage telescoping boom with hydraulically extendible second and third stage boom.
- Hydraulic 4 way pole claw on third stage boom tip
- Boom Tip metal parts enclosed in plastic
- 6,000 lbs tip winch on 3rd boom (fiberglass), insulated
- 6,000 lb tip winch rope: 70 ft UHMWPE 9/16" dia with HP Aluminum Spool & Shield & 4.5 ton hook
- Heavy duty continuous planetary rotation drive with slip brake
- 5 Function Automatic Hydraulic Overload Protection (HOP) system: protected functions: boom down, 1st extension, 2nd extension, winch & digger dig
- Hydraulic side load protection allows rotation system to back drive
- 12,000 ft lbs T-12 2 speed auger drive with adjustable automatic kick down & high / low flow auger speed switch on the operator's console for four speed settings
- Full hydraulic flow from hydrostatic drive and two auxiliary pumps are sent to the auger drive providing approximately 75 HP when digging
- Curb side hydraulic auger stow with overstorage protection
- Auger storage for up to 24" diameter augers (inclusive)
- 16" Dirt Auger with 2.5" hex diameter & 104" OAL
- 40-gallon hydraulic oil reservoir with electric oil cooler
- Engine stop/start controls at the turret pedestal and control console
- Boom seat with full pressure, all hydraulic, fully proportional controls
- Adjustable boom support installed at the front of the cab
- Turret mounted lift capacity chart
- Turret console mounted pressure gauges for system & auger
- 4 hydraulic 59" radial outriggers (with lock valves) at 45 degrees for maximum stability
- Full-length heavy duty tubular steel sub frame directly attached to pedestal & outrigger mounts to constitute a complete integral unit
- Complete lubrication and operational testing prior to delivery. All adjustments to derrick systems and related made to factory recommended specifications prior to delivery



## Hercules 6042/46 Digger Derrick/Aerial Lift Boom & Digger Options

Insulated fibreglass 3 <sup>rd</sup> & 4 <sup>th</sup> boom	Insulated for Category "C" type booms: 46 kVA CSA standard C225-10, ANSI standard A92.2-2015 & ANSI standard A10.31 2019
Folding 4 <sup>th</sup> boom bucket attachment with pin on (removeable) bucket	Bucket reach: 47 ft Bucket dimensions: 24" x 24" x 42"
2nd pin on single man bucket	Jib, if equipped, must be removed before pinning
Fully proportional plasticized platform all hydraulic full pressure controls with 5 functions	<ul style="list-style-type: none"> <li>• Boom rotation: CW - CCW</li> <li>• Boom elevation: up - down</li> <li>• Second boom extension: in - out</li> <li>• Third boom extension: in - out</li> <li>• Winch: up - down</li> </ul>
Wireless controls at the platform	Engine start / stop & horn
Bucket options:	Bucket liner Bucket cover soft foam filled Bucket cover heavy duty vinyl Clip on tool tray Hydraulic tools outlet at the bucket Hydraulically self-leveling bucket (not available if jib option selected)
4 ft Jib	600 lb capacity with adjustable length and angle
Jib accessories	Wire holder (non insulated) jib attachment Single conductor 48 inch hot arm jib attachment
Auger drive options:	10,000 ft lb T-9 auger drive (2) speed automatic for less torque, higher RPM 10,000 ft lb X9K5 single speed low torque, high RPM auger drive for dirt Auger drive torque reduction switch (12,000 to 10,000 ft lbs) <b>Change auger drive from 2.5 hex dia to 2 5/8" hex dia</b> Hydraulic auger release
12v emergency power	Powers boom rotation, lowering & all outrigger functions
Auger types available:	12"-24" dirt or rock augers Other auger sizes, teeth & brands available
Kelly bar options	4', 5', 6' or 7' 6" Kelly bar Converting Kelly Bar 2.5" Hex F to 2.625" Hex M, 6' long
<b>Other Boom &amp; Digger Derrick Options</b>	
Hydraulic tools outlet on deck with hose reel with twin orange hoses 3/8" dia x 30' length, flow control for tamping only. Includes a tamper holding bracket.	
Bi-directional flow valve & pressure control (2,000 to 3,000 PSI) for hyd tools outlet on deck for faster pole jacking	
Bi-directional flow valve <b>only</b> for hyd tools outlet on deck	
Tools outlet on deck back pressure limited to 200 PSI	



# UTV INTERNATIONAL



## RT-02 DD OPTIONAL EQUIPMENT & ACCESSORIES

### Plow & Winch Options

Front bumper in place of plow
Front 2 way plow (light brush clearing blade)
19" height extension for plowing snow
Front plow blade with float position
16,500 lbs electric winch with front wiring & remote control with 12 ft lead
Electric winch rear wiring
(2) Side receivers for electric winch with wiring
Front mount storage for electric winch when hydraulic winch equipped
18,000 lbs hydraulic winch, fixed front mount with in cab controls

### Cab Options

Driver's front wire mesh screen (open cab)
Driver's left side wire mesh door and side wall (open cab)
Driver's right side wire mesh screen (open cab)
Driver's rear wire mesh screen (open cab)
Aluminum escape hatch for open cab (required when four sides wire mesh )
Steel escape hatch for open or closed cab (adds FOPS certification)
Opening sunroof (hinged aluminum escape hatch with adjustable opening)
Tinted safety glass escape hatch with adjustable opening (not FOPS certified)
Protective brush guard for front LED Lights
Cab mounted front brush guard for closed cab
1-man <b>Closed Cab</b> ROPS certified to 24,000 lbs includes: Aluminum escape hatch Sliding left & right side window Cab heater & circulation fan Front windshield on-off wiper & windshield washer Door with dual locking system
Front windshield intermittent wiper (closed cab)
Sun visor
Driver's 3 point seat belt
Premium cab sound & heat insulation
Street side and / or curb side rear view mirror
Street side rear view mirror with electric heating
Back up camera with heated lens and 7" in-cab waterproof display
Yellow "Boom Not Stowed" warning light in cab with audible alarm
Yellow "Boom Not Stowed" warning light in cab without audible alarm
Outrigger deployed in-cab warning light



## RT-02 DD OPTIONAL EQUIPMENT & ACCESSORIES Cont'd

### Cab Options continued

DC air conditioning 6,000 BTU/hr, 12v
---------------------------------------

### Lighting Options

GoLight Stryker spotlight on top of cab with guarding & in cab & hand held remote controls
2x 120 watts LED light bars (behind the cab, swiveling & one fixed over the engine cover)
4x 18 watts around the vehicle ground illumination LEDs (low profile 40° down-angle)
DOT road lighting (includes outrigger mounted clearance lights)
Outrigger mounted clearance lights

### Engine & Cold Weather Options

Spark arrestor
Extended air intake with snorkel precleaner
12v engine coolant heater, 17,000 Btu with 7 day programmable timer
120v hydraulic oil tank heater
120v battery charger
Synthetic engine oil
Winter bridge & engine cover
Insulated battery box
Coolant battery heater
2x 120v battery heaters
Glycol coolant
Synthetic hydraulic oil
1,800 watt gas powered portable generator / inverter with on deck storage

### Some Available Augers & Kelly Bars

18" Dirt auger with 2.5" hex diameter
20" Dirt auger with 2.5" hex diameter
16" Rock auger with 2.5" hex diameter
18" Rock auger with 2.5" hex diameter
20" Rock auger with 2.5" hex diameter
Kentucky rock auger 16" with 2.5" hex diameter
Kentucky rock auger 18" with 2.5" hex diameter
Harleman SHCD 2.5 16" rock auger with 2.5" hex diameter
2.5" hex dia solid Kelly bar 4' long
2.5" hex dia solid Kelly bar 5' long
2.5" hex dia solid Kelly bar 6' long
2.5" hex dia solid Kelly bar 7' 6" long
Converting Kelly bar 2.5" hex F to 2.625" hex M, 6' long



# UTV INTERNATIONAL



## RT-02 DD OPTIONAL EQUIPMENT & ACCESSORIES Cont'd

### Track Options

<b>Change 29" to 33" high profile rubber tracks</b> with heat treated aluminum inserts
Ice claws for tracks (17 each side)

### Vehicle Options / Features

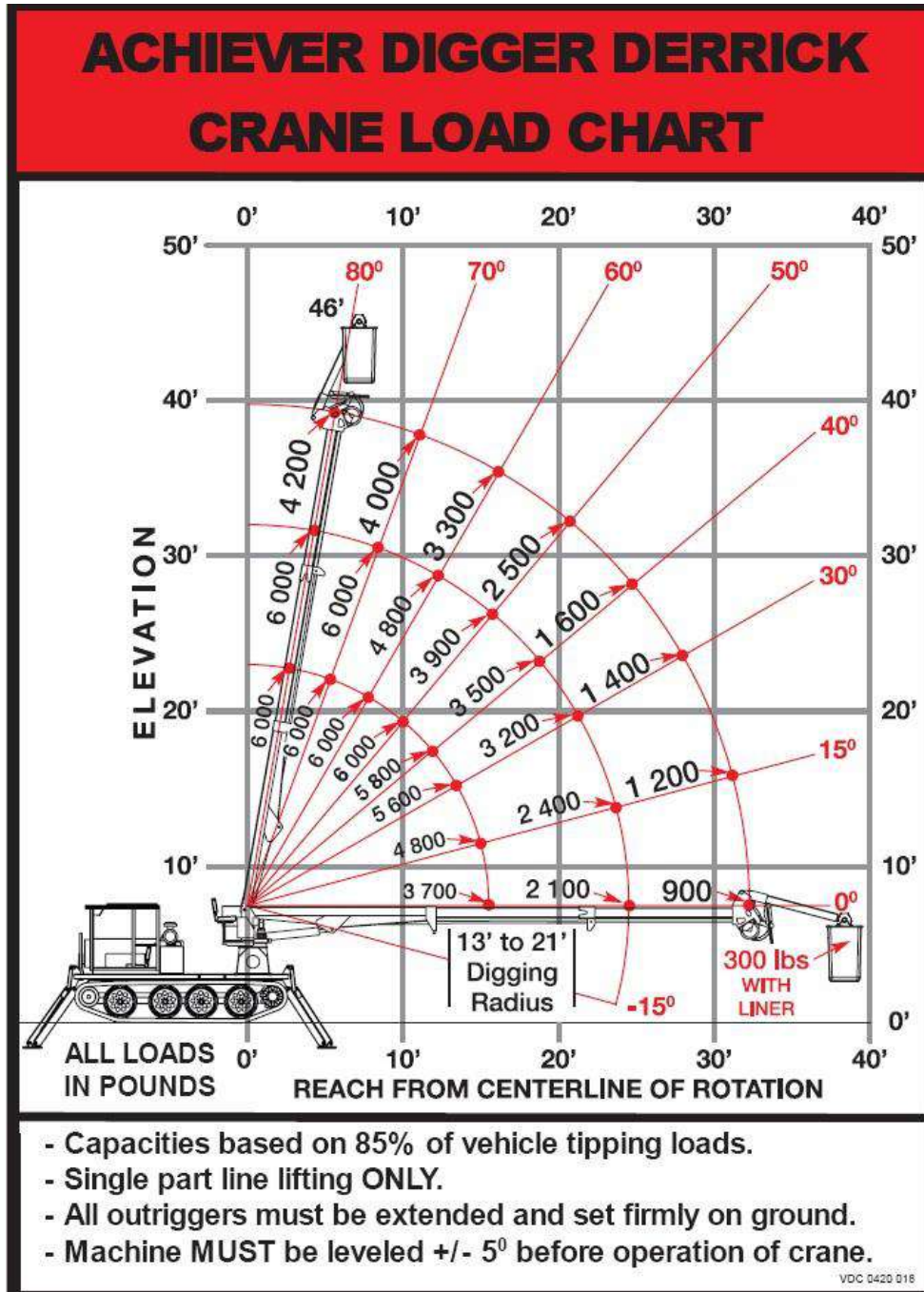
Tool box on deck (front right side)
Cargo tie downs on deck, 2,000 lb capacity (2x D-rings, 2x tie down posts)
Non slip coating on deck
<b>Change 59 in to extra long front outriggers (71 in)</b> for higher lift on hills w/18"x20" feet (allows deck levelling to within 5 degrees on 12 degree slopes)
<b>Change 59 in to extra long rear outriggers (71 in)</b> for higher lift on hills w/18" x 20" feet (allows deck levelling to within 5 degrees on 12 degree slopes)
Ice cleats for outrigger feet (4 each foot)
Outrigger feet ice cleat ready
(Set of 4) 24"x24"x1" soft outrigger pads with side deck storage
(8) Road wheel oil hubs
Hydraulic air compressor 80 CFM at 100 PSIG with air hose reel 50' x 3/4" pneumatic air hose rated 300 PSI
Hydraulic pole jack with soft ground pad, backing plate & deck mount storage
Cable grounding reel on deck, spring loaded, 50 ft 1/0 black cable & clamp
72" Hydraulic pole tamper
7', 1 1/2" square 10,000 ft lb anchor drive tool with side deck storage
7', 1 1/2" square 15,000 ft lb anchor drive tool with side deck storage
Anchor drive locking dog assembly & Kelly Bar adaptor (2.5" dia) with on deck storage
3.5' anchor drive tool extension wrench
<b>Change anchor tooling from 2 1/2" to 2 5/8" dia</b>
Side deck storage <b>only</b> for 7 ft, 1 1/2" anchor drive tool
On deck storage <b>only</b> for anchor drive locking dog assembly & Kelly Bar adaptor
3,000 watt hard wired inverter with enclosed box, raised on deck, <b>replace standard batteries with (3) 730 CCA Dual Purpose batteries</b>
Telecom reel support for 1,000 lb 48" reel with spindle & 2nd rear step
Pintle hook
Maintenance kit (high performance filter set for first 100 hour maintenance: return, supercharge & 2x drive pump charge filters)
Additional set of manuals
Spare auger holder on deck
One full day on site operations and maintenance training
Recommended spare parts for remote operations
<b>Other options available upon request</b>





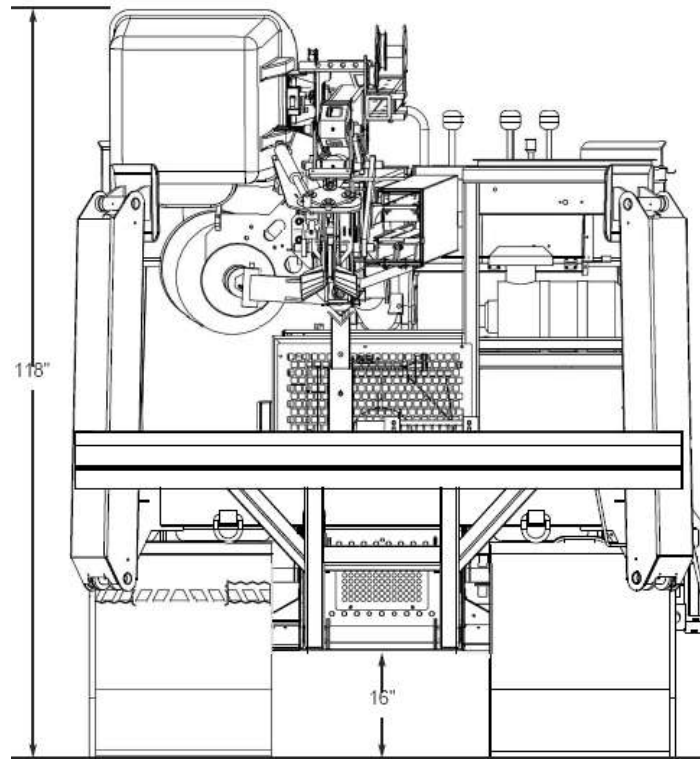
## ACHIEVER RT-02 DD TRACKED DIGGER DERRICK

### Tip Winch Load Chart



## ACHIEVER RT-02 DD TRACKED DIGGER DERRICK

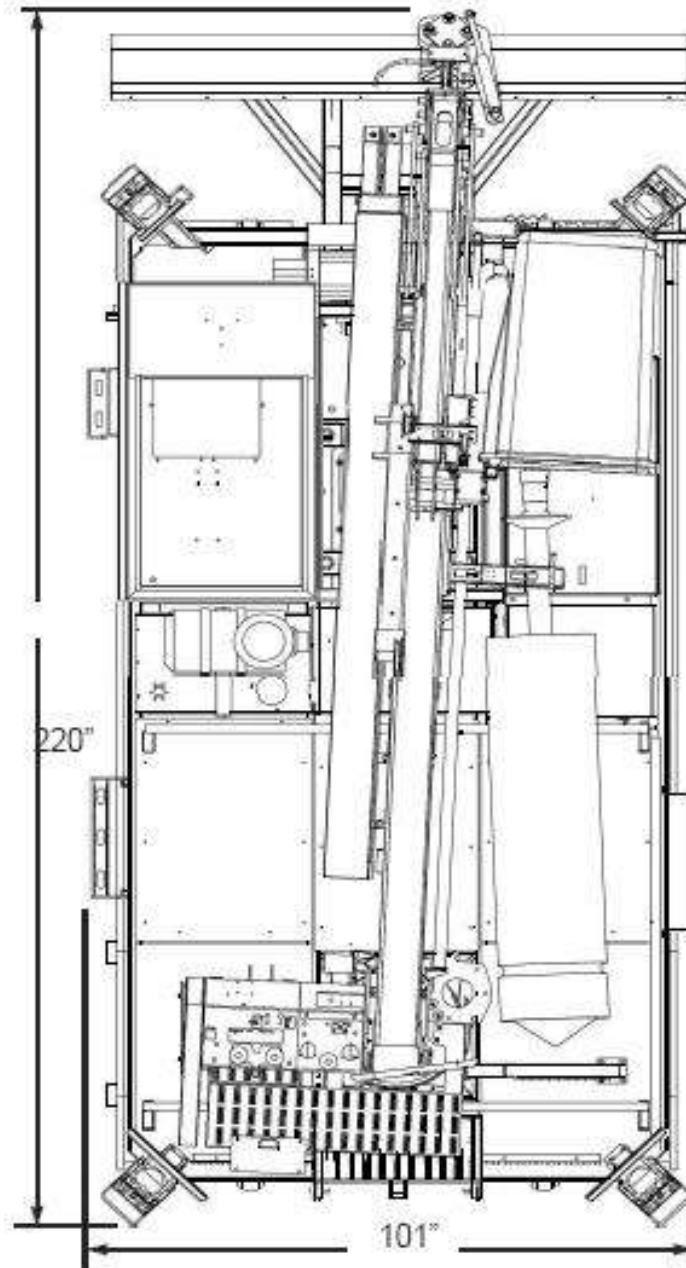
### Dimensions



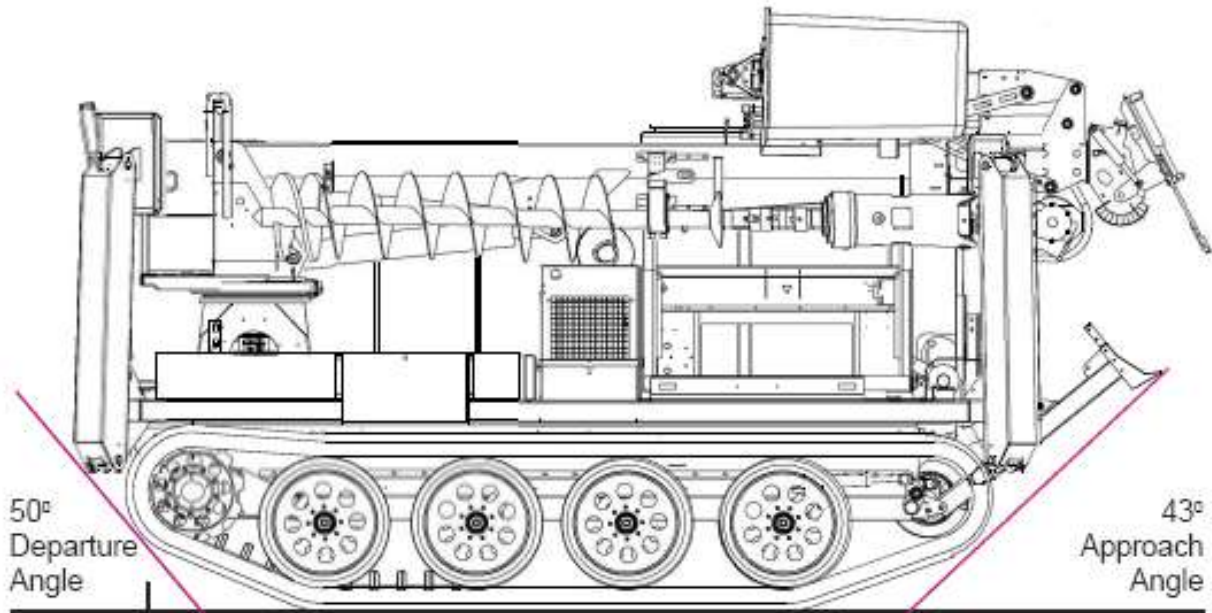


## ACHIEVER RT-02 DD TRACKED DIGGER DERRICK

### Dimensions

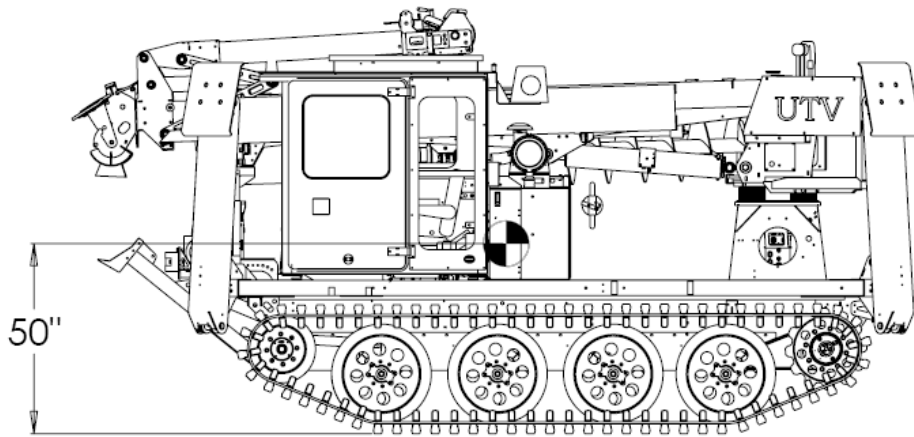
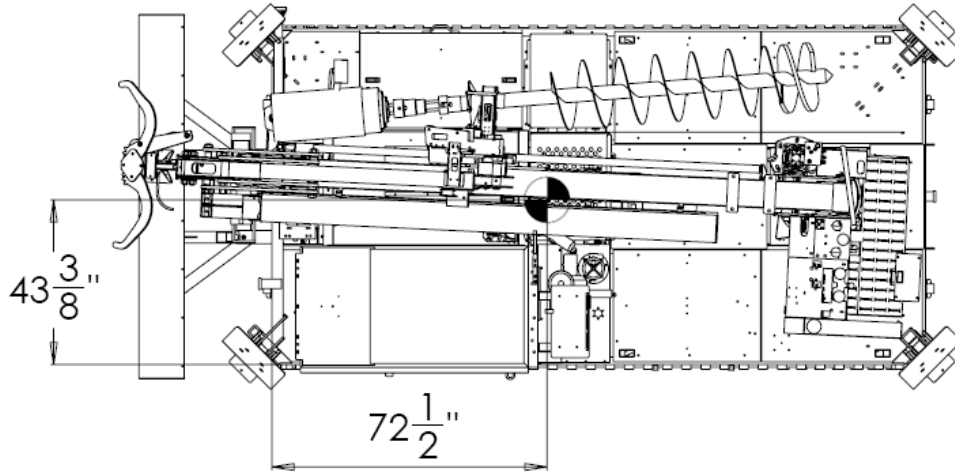


## ACHIEVER RT-02 DD TRACKED DIGGER DERRICK

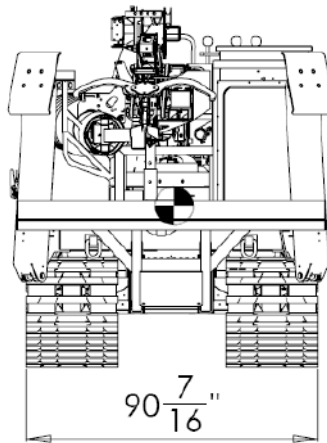


## ACHIEVER RT-02 DD TRACKED DIGGER DERRICK

### Center of Gravity



NOTE:  
THE C.G. HAS BEEN MEASURED USING CLOSED CAB  
& TIP WINCH CONFIGURATION.



**29" Tracks**